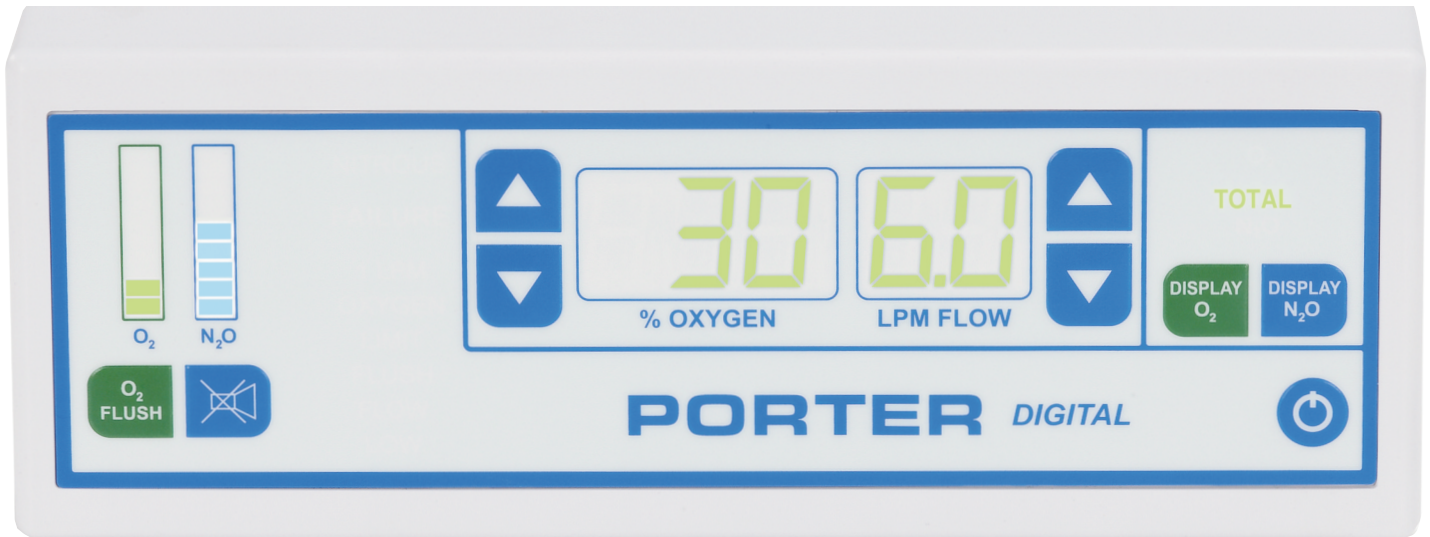


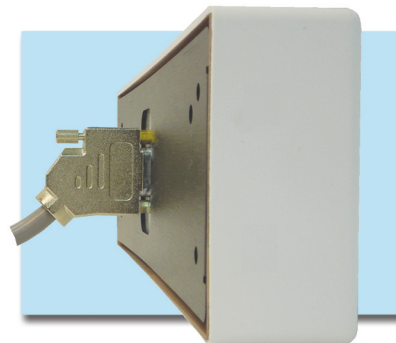
Porter Digital MDM



Porter Digital MDM Flowmeter Faceplate



Porter Digital MDM Control Module



Porter Digital MDM Faceplate Side View

Porter's Digital MDM is the smallest nitrous oxide flowmeter system in the industry. The extremely small footprint and remote faceplate allow the convenience and flexibility of multiple installation options. The faceplate can easily fit into restrictive space inside cabinets, under counters, on countertops, and in walls. Contact your Porter representative to learn more!

Faceplate Dimensions

Length = 7 7/8"

Height = 2 3/4"

Depth = 1 1/4"

Control Module Dimensions

Length = 8"

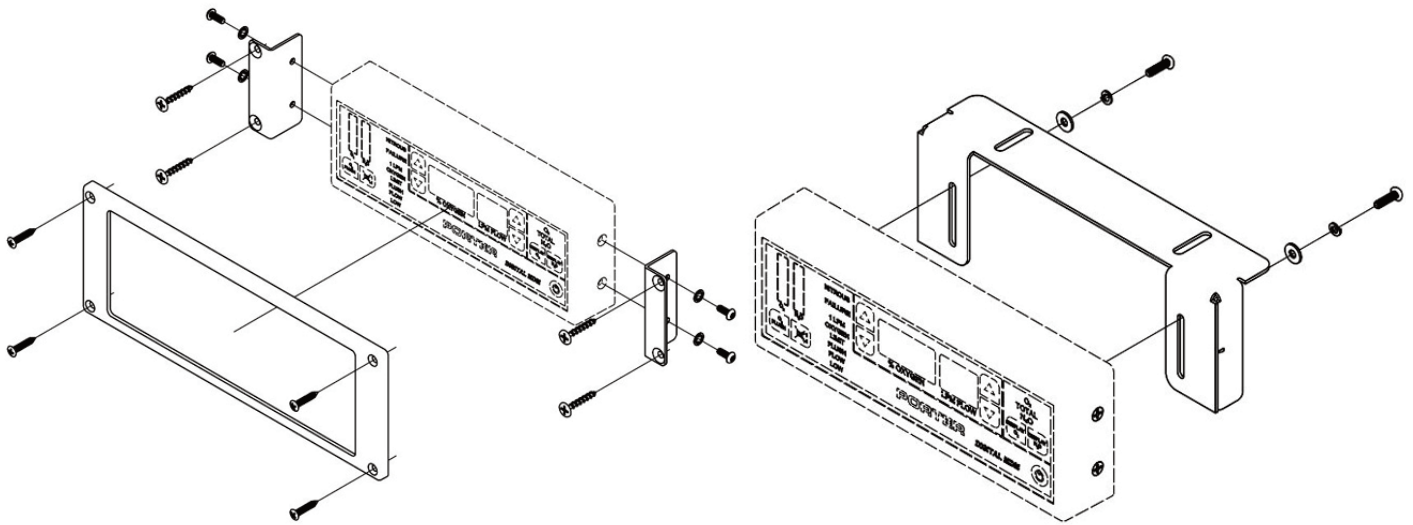
Height = 3"

Depth = 5 5/8"



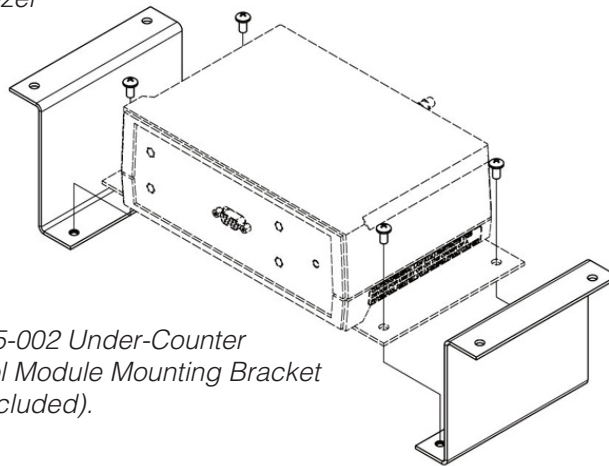
www.porterinstrument.com/dental
1-888-723-4001

Porter Digital MDM Packages And Pricing



Mounting brackets and bezel included in all Digital MDM packages.

An under-counter mounting bracket is also included in all Digital MDM packages.



B-5555-002 Under-Counter Control Module Mounting Bracket (not included).

6465C.....	Porter Digital MDM Adult Package	\$5,246
6465C-P.....	Porter Digital MDM Pedo Package.....	\$5,246
6465CAV.....	Porter Digital MDM AVS Adult Package	\$5,655
6465CAV-P.....	Porter Digital MDM AVS Pedo Package	\$5,655

All packages include a Pre-Install Kit (B-2460-KIT). If ordering the Pre-Install Kit in advance, add the suffix -LPI to the package part number and deduct \$278 from retail price.

Example:

6465CAV-LPI.....	Porter Digital MDM AVS Adult Package	\$5,377
	Less Pre-Install Kit	
B-5555-002.....	Under-Counter Control Module Mounting Bracket	\$52



www.porterinstrument.com/dental
1-888-723-4001