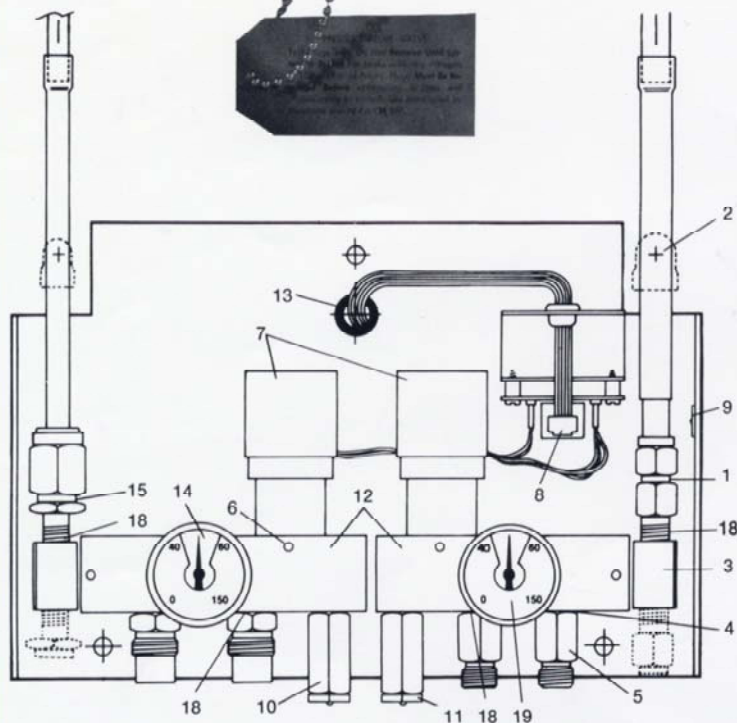
**SENTINEL SYSTEM MANIFOLD**

The Porter Instrument Company Sentinel System™ Manifold combines advanced design and safety features with attractive appearance. Both gases are manifolded through one easily installed unit. The unit is designed to accept concealed or exposed piping from top or bottom. Safety features include metal-to-metal "No-Leak™" fittings, internal check valve to prevent leakage into the atmosphere and modular plug-in wiring to eliminate bare wire connections. The unit utilizes the Porter Cross+ Protection system, as well as diameter indexed hoses and easy to read gauges that clearly indicate normal operating pressure. The Sentinel System™ Manifold meets or exceeds all National Fire Protection Association guidelines.

**FEATURES**

1. Diss/fittings—add manifold with just a wrench after soldering is completed.
2. Manifold is easily connected to exposed or concealed piping.
3. Swivel fitting for top or bottom entry connection.
4. Metal-to-metal "No-Leak" fittings with "O" ring seal.
5. Internal check valve—can't leak to atmosphere.
6. Easily replaceable pressure switch.
7. Adjustable pressure switch.
8. Modular plug-in wiring—no bare wire connections to be made.
9. Easily attached cover.
10. Pressure relief valves—easy to vent outside. Set at 150% line pressure—75 psig.
11. Pressure relief valve plug—allows 150 psig test of manifold.
12. Separate blocks for each gas—eliminates possibility of mixing.
13. Wiring can be exposed or concealed.
14. 150 psig gauge allows 150 psig nitrogen test.
15. "O" ring seal on Diss/fittings prevents leaks.
16. NOT SHOWN tank regulator.
17. NOT SHOWN "O" ring seal on hose Diss/fittings.
18. Cross+Protection on threads, fittings, hoses and pipes.
19. Easy to read gauge clearly indicates normal operating pressure.
20. Meets all NFPA guidelines.

CAUTION

This device contains Cross+Protection utilizing diameter indexed copper tubing. Reducing pipe sizes or tampering with the Cross+Protection system constitutes acceptance of liability by the installer. Contact Porter Instrument Company, Inc., (215) 723-4000 with problems or questions.