

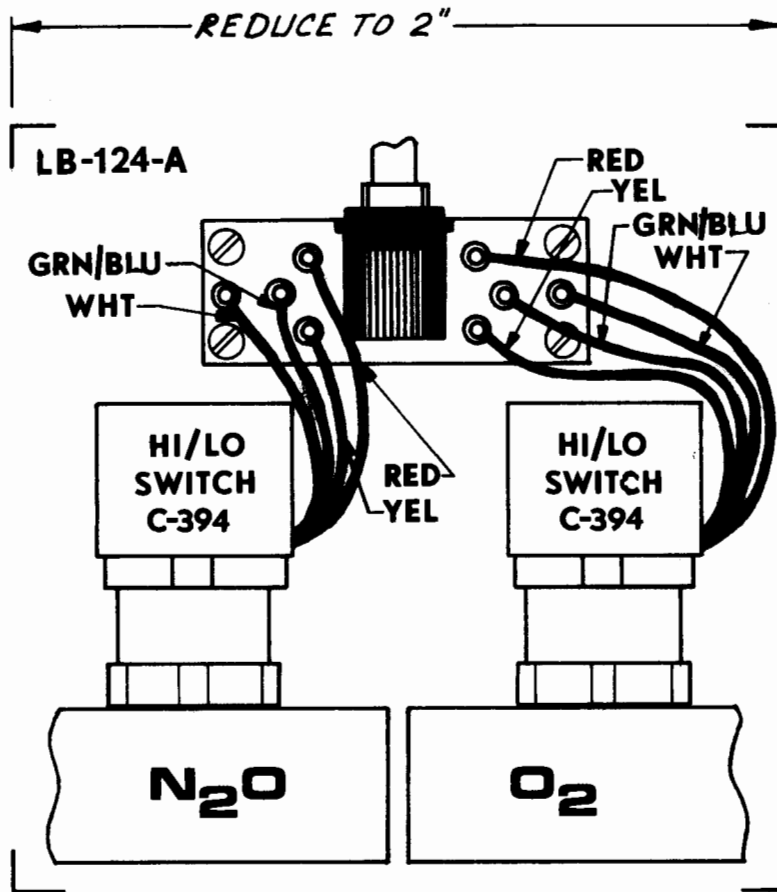
---

# MANIFOLD SYSTEM

---

---

## MAINIFOLD PRESSURE SWITCH WIRING DIAGRAM



									Mat'l: PRESS. SENSITIVE VINYL	
									Color: WHITE BACKGROUND	
A	6/1/81	REDRAWN & REVISED	J.D.						Ink Color: BLACK	
REV	DATE	DESCRIPTION	DR	CH	AP	By	Date	Obsolete Labels Destroyed	Adhesive: BACK	
Printed Label		QC	Date		Remarks:					
Artwork Approval		QC	Date		Engr		Date			
Design Approval		QC	Date		Engr		Date			
DATE 6/1/81		DR J. DAVIS		CH.		APP.		SCALE 2:1		
PORTER INSTRUMENT CO. P.O. BOX 326, TOWNSHIP LINE ROAD HATFIELD, PA. 19440			MANIFOLD PRESSURE SWITCH WIRING DIAGRAM					NUMBER	REV	
								LB-124	A	