
INSTALLATION INSTRUCTIONS

MODEL 5600-3 VACUUM OUTLET STATION

PORTER INSTRUMENT COMPANY, INC.

245 TOWNSHIP LINE RD. P.O. BOX 907 HATFIELD, PA 19440-0907 [215] 723-4000 / FAX [215] 723-2199

Model 5600-3 Vacuum Outlet Station

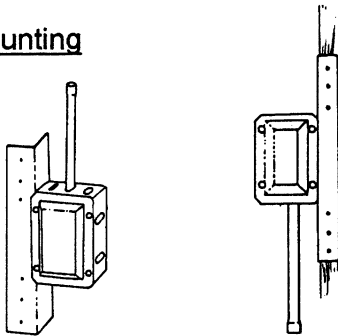
The Porter Vacuum Outlet Station provides a quick, easy and reliable method of connecting the Porter/brown Scavenger System to the vacuum source.

Installation Instructions

1. Select the appropriate location for installation of the Vacuum Outlet Station and mount either using a wall stud or directly into cabinetry.

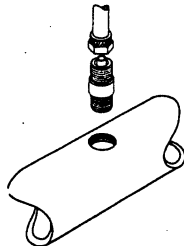
NOTE: The Vacuum Outlet Station is designed to accept piping from either above or below. Simply rotate the station before mounting in the appropriate direction that suites the installation.

Figure 1- Mounting



2. Connect the outlet station to the central vacuum system. Connect the exhaust tube (1/2" OD) to the central vacuum system. The connection can be either copper tubing, poly-flow or PVC--for poly-flow connection, splice into the line with "T" connection or for PVC, tap into the mainline.

Figure 2 - Exhaust Tube



CAUTION

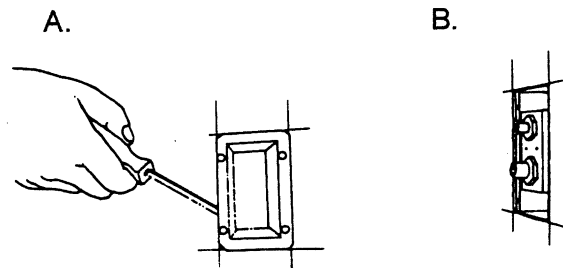
Do not connect any scavenger system to a sanitary sewer system.

Note: If a water ring pump is used, the exhaust gases must be separated and vented using an Air - Water separator.

3. After Outlet Box is Connected.

- Remove protective cover.
- If box is installed in wall for concealed piping, check to make sure leading edge of box is flush with dry wall or paneling. If box is incorrectly aligned, loosen bracket mounting nuts with 3/8" open end wrench, adjust to fit then re-tighten nuts.
- Install cover plate. Cover plate lettering indicates correct position of cover.

Figure 3 - Outlet Box with Cover

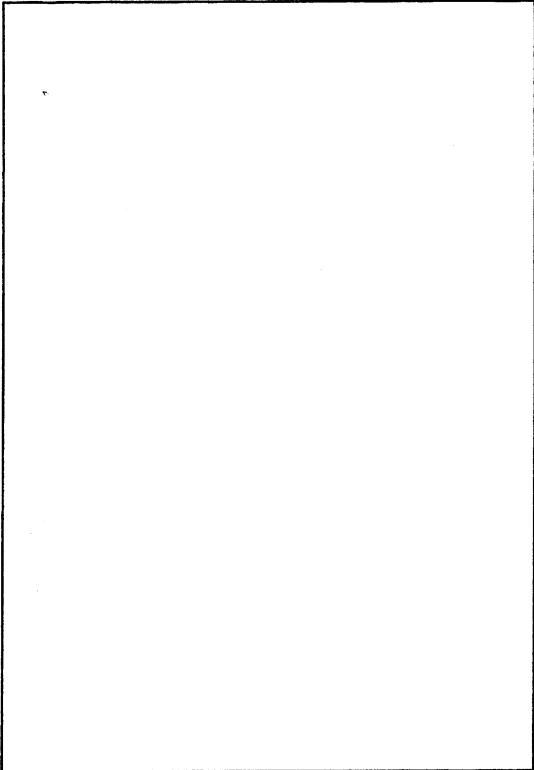


Note: See reverse side for Cut-out and Face Plate Dimensions.

Model 5600-3 Vacuum Outlet Station

Cut-Out Dimension

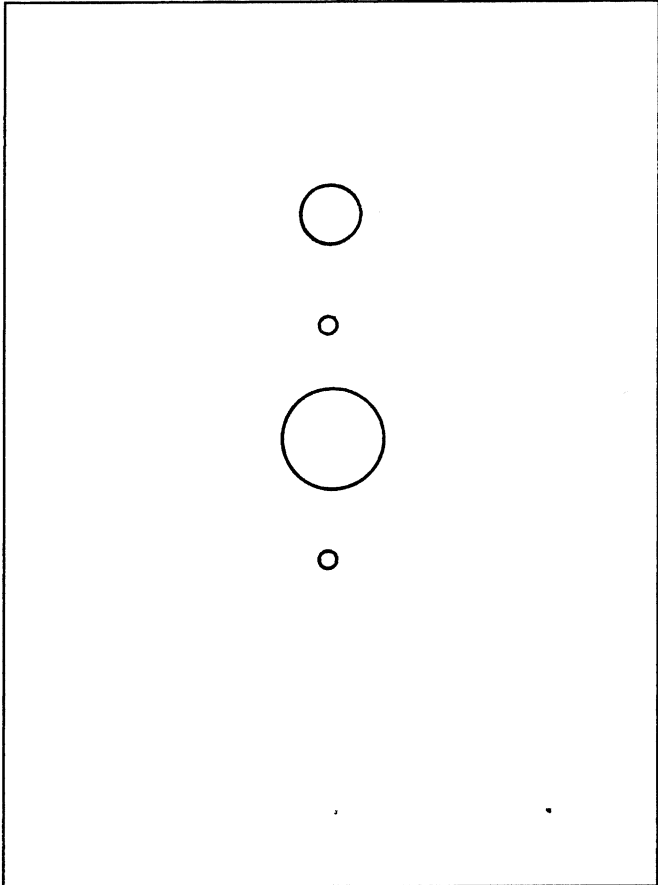
2 3/4"



4"

Face Plate Dimension

3 3/8"



4 5/8"