

CABINET MOUNT MXR FLOWMETER DIAGRAM



CABINET MOUNT MODELS
2050W, 2055W, 2060W, 2065W and 2070W

PORTER INSTRUMENT COMPANY, INC.

245 TOWNSHIP LINE RD. P.O. BOX 907 HATFIELD, PA 19440-0907 USA [215] 723-4000 / FAX [215] 723-2199

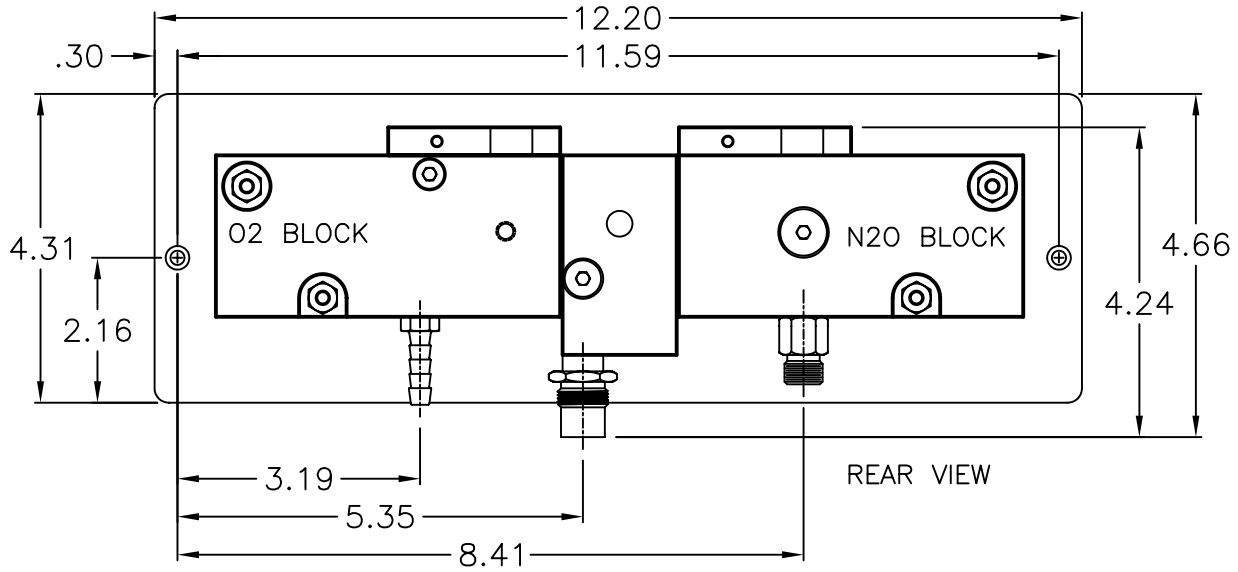


4 $\frac{5}{16}$

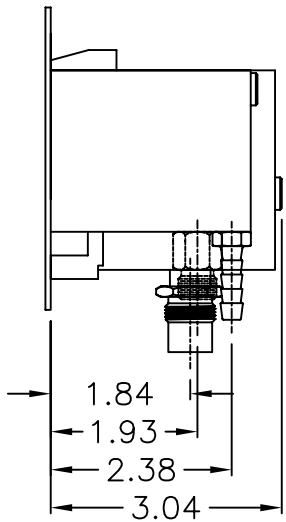
12 $\frac{1}{4}$

12.20

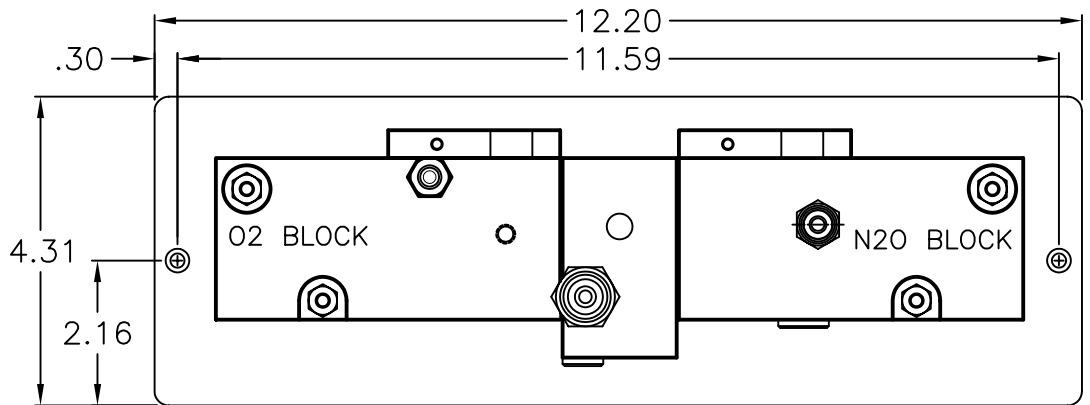
11.59



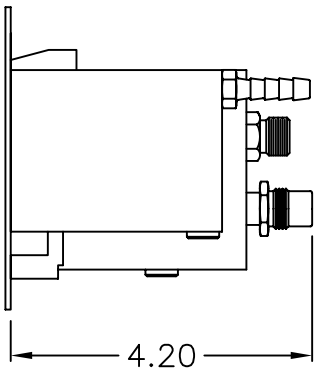
REAR VIEW



1.84
1.93
2.38
3.04



REAR VIEW



4.20