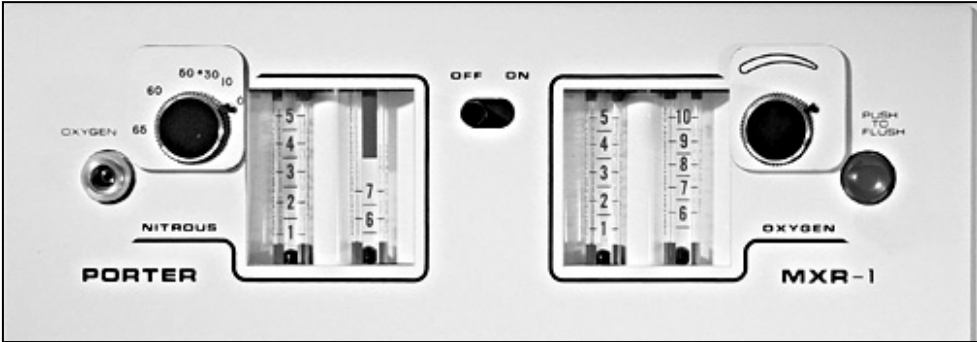


CABINET MOUNT MXR FLOWMETER MOUNTING INSTRUCTIONS

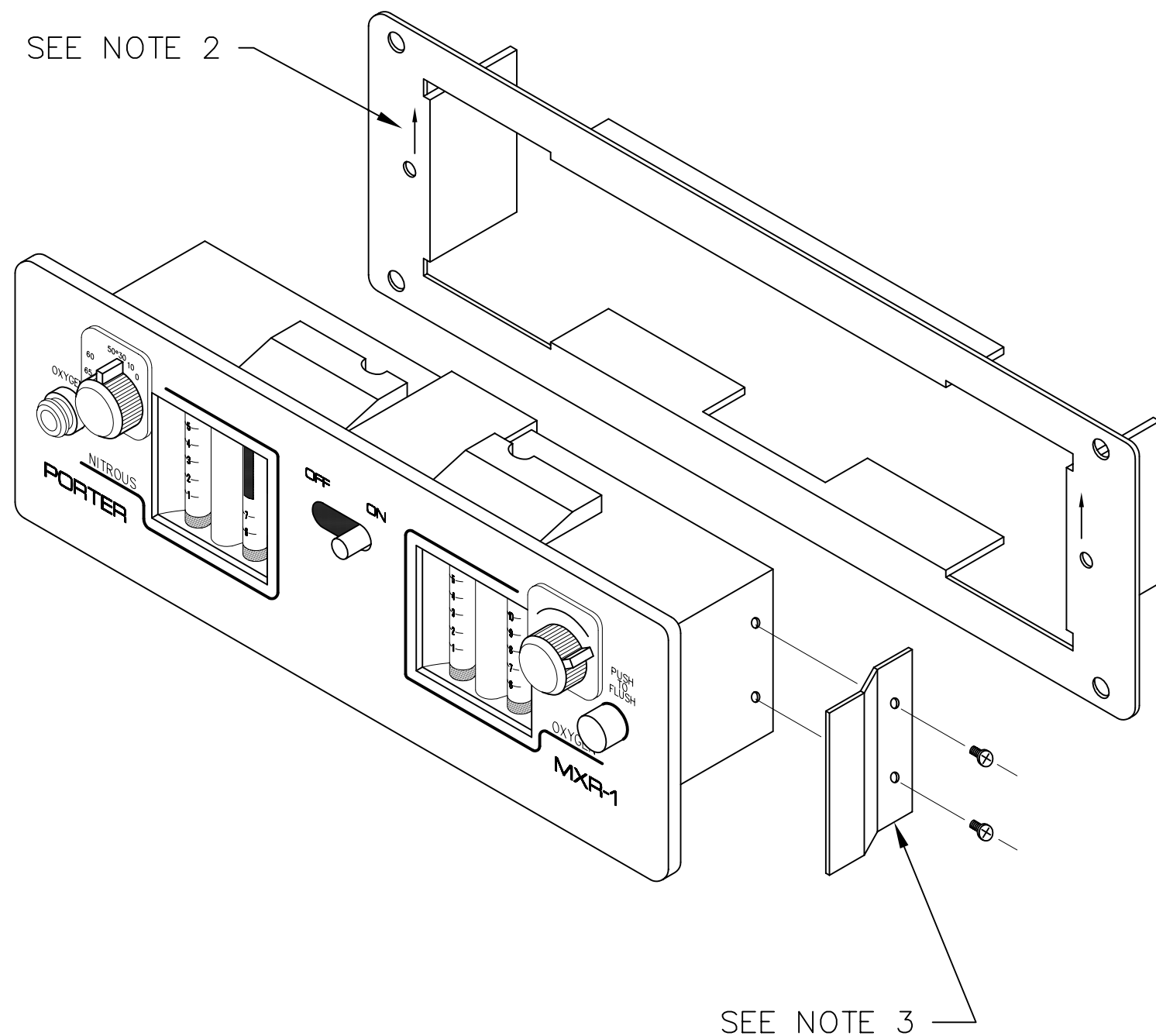


CABINET MOUNT MODELS
2050W, 2055W, 2060W, 2065W and 2070W

PORTER INSTRUMENT COMPANY, INC.

245 TOWNSHIP LINE RD. P.O. BOX 907 HATFIELD, PA 19440-0907 USA [215] 723-4000 / FAX [215] 723-2199

PORTER INSTRUMENT COMPANY, INC.



MOUNTING INSTRUCTIONS:

1. USING TEMPLATE PROVIDED, CUT OPENING IN WALL.
2. PLACE MOUNTING FRAME IN WALL OPENING, ARROWS FACING UP, AND FASTEN SECURELY (MOUNTING FASTENERS NOT PROVIDED).
3. ATTACH RETAINING SPRING TO METER BODY USING TWO (2) EACH SCREWS. REPEAT FOR OPPOSITE SIDE.
4. AFTER CONNECTING PIPING TO METER, PRESS UNIT INTO MOUNTING FRAME.