

Nitrous Oxide Sedation Systems INSTALLATION

ZONE VALVE ASSEMBLY 9000-1 OR C9000 TO WALL AND DESK SENTINEL MANIFOLD SYSTEM

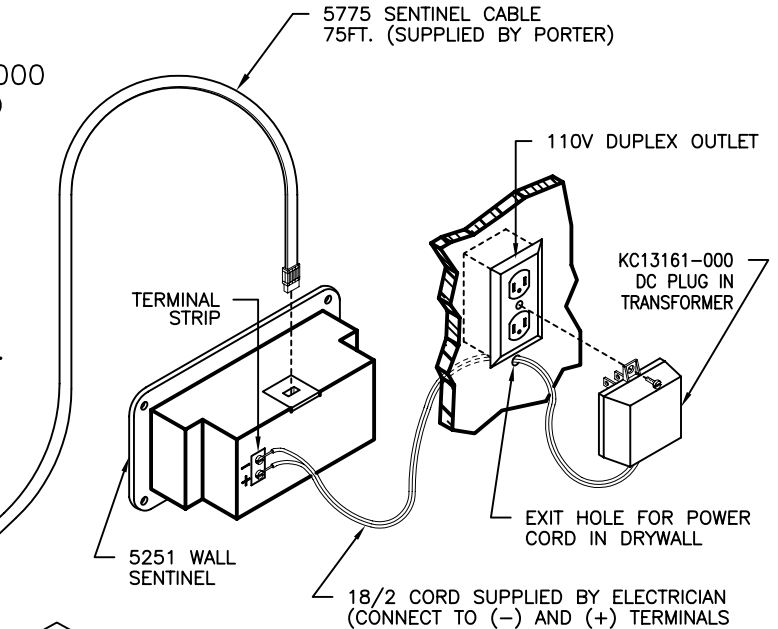
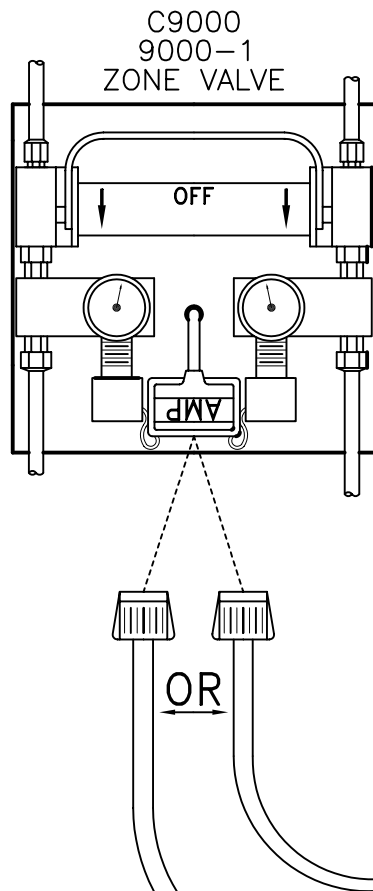
PORTER INSTRUMENT COMPANY, INC.

245 TOWNSHIP LINE RD. P.O. BOX 907 HATFIELD, PA 19440-0907 USA [215] 723-4000 / FAX [215] 723-2199

9000-1 & C9000 INSTALLATION

FM-361 REV C

1. ZONE VALVE ASSEMBLY 9000-1 OR C9000 IS INSTALLED DOWNSTREAM OF MANIFOLD USING COMPRESSION FITTINGS PROVIDED.
2. PLUG IN MODULAR CABLE(#5775) TO ZONE VALVE AND DESK OR WALL SENTINEL ALARM.
3. FUNCTION TEST SYSTEM BY VARYING PRESSURE AND MONITORING ALARM FOR BOTH N₂O OR O₂ AT HI, NORMAL, AND LOW PRESSURE SIGNAL CONDITIONS.



WALL AND DESK SENTINEL WIRING ILLUSTRATION

