


PROPRIETARY NOTICE

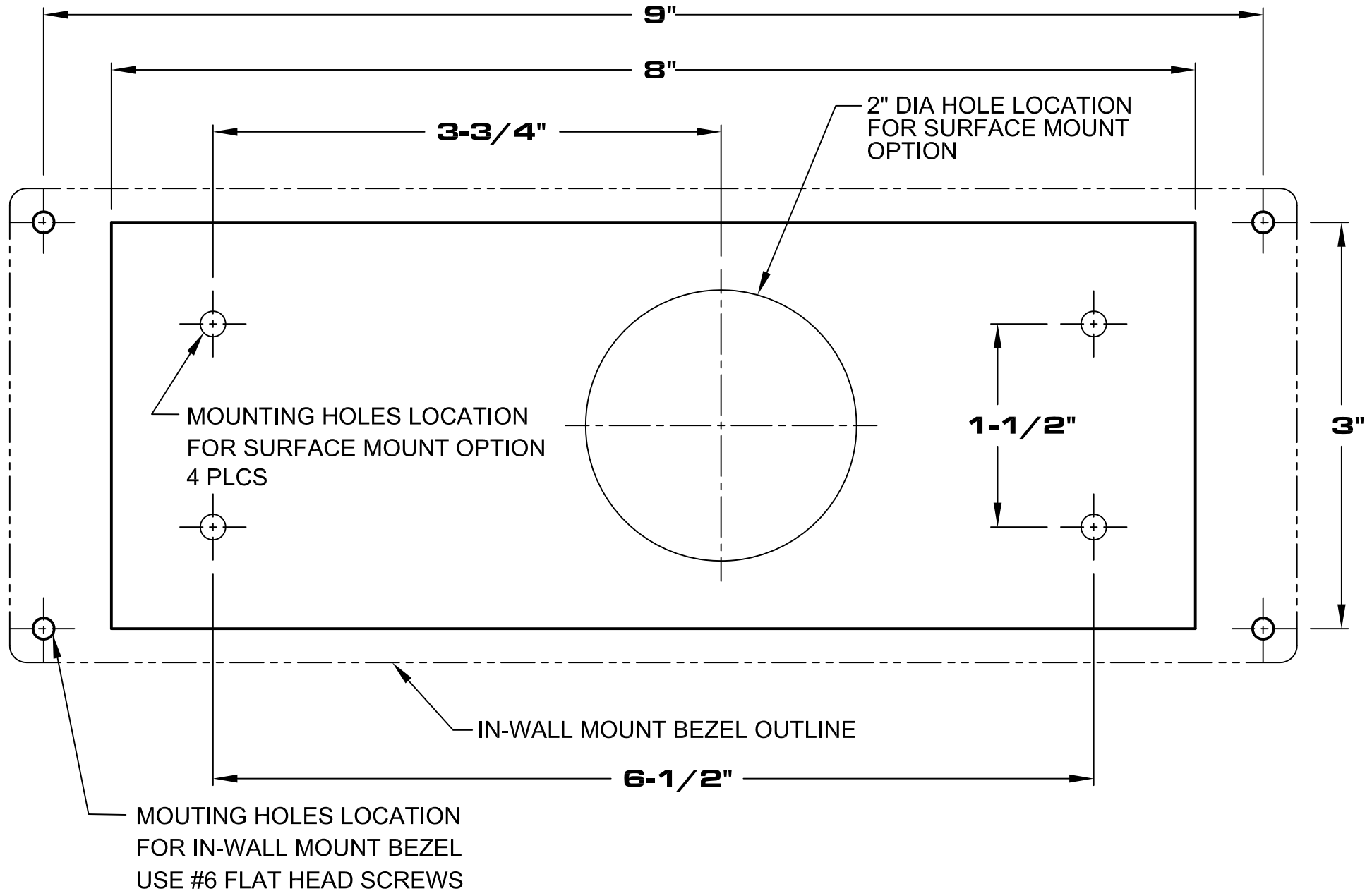
THIS DOCUMENT AND THE DATA DISCLOSED HEREIN IS NOT TO BE REPRODUCED, USED OR DISCLOSED WHOLE OR IN PART TO ANYONE WITHOUT THE PERMISSION OF PORTER INSTRUMENT DIVISION, PARKER HANNIFIN CORPORATION.

PRINT SHEET 2 FOR TEMPLATE

-	ECO- 0054220	ECO RELEASE FOR PRODUCTION	A. MARQUES	MAR. 11, 2014	
REV	EC NO.	DESCRIPTION	NAME	DATE	APPVD
REVISIONS					
TOLERANCE SPECIFICATIONS UNLESS OTHERWISE NOTED:				Parker Hannifin Corporation Porter Instrument Division 245 Township Line Road Hatfield, PA 19440, USA	
1. DECIMAL .XXX±.005 2. DECIMAL .XX±.02 3. ANGLES±2° 4. ALL DIA CONCENTRIC WITHIN .005 T.I.R. 5. 63 RMS FINISH ALL SURFACES 6. BREAK ALL CORNERS $\frac{.005}{.025}$ X 45° 7. ALL INSIDE CORNERS $\frac{.005}{.025}$ X R. 8. REMOVE ALL BURRS & SHARP EDGES					
<h2>TEMPLATE DMDM REMOTE FACE</h2>					
DATE FEB. 4, 2014		FILENAME: LB-713		NUMBER	REV
DR. A. MARQUES				LB-713	-
CH.					
APP.		SCALE 1=1		SH 1 OF 2	

3
2
1
0

PORTER



THIS TEMPLATE IS FOR DMDM REMOTE FACE IN-WALL OR SURFACE MOUNT OPTION

LB-713 REV - 3/14